



Zero Client CD1022/24

DATASHEET

Dual DisplayPort Fiber Zero Client w/6 USB Ports plus Integrated CAC reader

Model CD1022/24 - Future-Ready Ultra Secure Zero Clients for
Centralized and Virtualized Computing



CD1022/24 Zero Client Benefits

Delivers full desktop quality computing experience via an IP connection to Blade PCs or VMware Horizon based hosts

6 USB 2.0 ports (4 front / 2 rear)

1 DP and 1 DP++ display connectors

Centralizes PC resources in a single, secure location

Increases security of physical and data assets

Strong AES256-bit encryption

Provides all the benefits of a standard PC with no noise, less heat, and less space

TAA compliant

CD1024 has integrated smartcard reader

Future-Proof Your Zero Client Display Options

ClearCube's NEW CD1022/24 zero clients, featuring two DisplayPort connections, capitalize on the present and future evolution of desktop displays in virtual desktop infrastructure (VDI) environments. As the industry migrates away from DVI port connections on display monitors, CD1022/24 provides a connector compatibility path that allows connectivity to new DisplayPort supported displays for the foreseeable future.

With support for dual monitors and full-performance video, Cloud Desktop 1022/24 (CD1022/24) connects to VMware® virtual desktops on SmartVDI systems, 3rd party virtual machines, and remote ClearCube Blade PCs.

For sites where data security is paramount, CD1024 sets itself apart from all competitors. Compared with DVI ports, DisplayPorts have lower voltage swings that emit less electromagnetic radiation; therefore, they are considered less susceptible to malicious intent "snooping-activity" at secure facility locations and SCIFs.

Designed to tolerate rough use, CD1022/24's metal chassis is durable and oriented for CAC/SIPR card insertion. Enabling secure authentication, CD1024 integrates a PKI-approved CAC/SIPRnet token reader that supports 5v, 3v, and 1.8v smart cards. CD1024's smartcard reader is on Teradici's PCoIP approved list, and is supported by VMware as well.

Adding to the security profile is fiber optic connectivity through CD1022/24's fiber SFPs that support 100 base and 1000 base connections to host resources. Further security is provided by AES-128/AES-256 Suite B Cipher encryption found in the PCoIP protocol.

CD1024 is the only zero client on the market that contains an integrated CAC reader, two DisplayPorts and six USB 2.0 devices.

Full PC Experience over IP

In ClearCube Centralized and Virtualized Desktop Infrastructures (CVDI), CD1022/24 can broker a connection to both SmartVDI and Blade PC resources using VMware Horizon. Dedicated 1:1 users can take advantage of hardware accelerated PCoIP chips in ClearCube's Blade PCs to support legacy, mission-critical, and/or GPU-intensive applications.

ClearCube Desktop Zero Clients are fully TAA-compliant.



High Performance, Optimal Quality

Both CD1022 and CD1024 Zero Clients deliver simultaneous full screen, full motion video at high resolution on one or two monitors. Each monitor is independently configurable for both resolution and choice of portrait or landscape orientation. Supported resolutions are 1x 2560x1600 using a single display port cable or 2x 1920x1200 using two cables.

Simple Installation, Secure Hardware

CD1024 Zero Clients require no special OS drivers. There are no moving parts that can fail and no removable parts that encourage user tampering/theft. The units easily connect all standard peripherals including multiple monitors, keyboard, mouse, audio input/output devices and USB peripherals.

Full Power USB (1 amp) Support

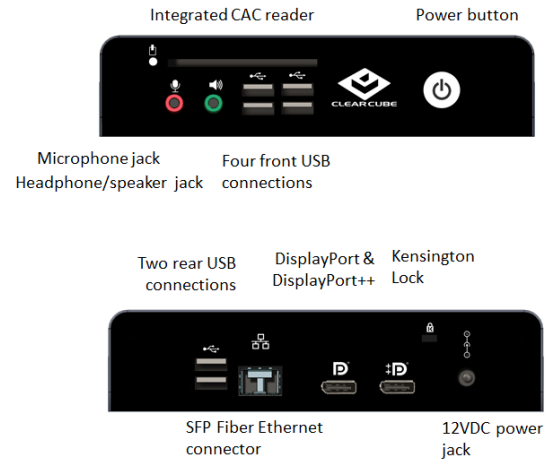
CD1024 Zero Clients work with existing Ethernet networks and have two display port connectors (1 DP and 1 DP++). The DP++ connector provides backward compatibility with DVI with the use of a passive display port to DVI cable.

This great desktop package comes with 4 front Type-A USB 2.0 ports and 2 rear Type-A USB 2.0 ports. Full power USB (1amp) is supported by using a single USB connection in the paired stack, leaving the other connector in the pair empty. This feature can be used to support higher power USB peripherals or for faster cell phone charging, for example.

Specifications

Fiber CD1022/24 Zero Client Specifications	
Chipset	Teradici TERA2321 PCoIP™
Operating System	None
Display	Single: 2560x1600@60Hz, Color Depth: 8, 15, 16 or 24bpp Dual: 1920x1200@60Hz, Color Depth: 8, 15, 16 or 24bpp
Memory	DDR3 DRAM devices (512 MB DDR3)
Connections	6 - USB 2.0 Compatible ports
Audio	1 DisplayPort, 1 DisplayPort++ HD Audio Out and Audio In 3.5mm Headphone jack; 3.5mm Microphone jack
Network	100/1000Base X SFP Power connection for auto-sensing power adapter
Power Supply	Universal 100-240 VAC, 50-60Hz Output: 12 V DC
Max Consumption	8 Watts w/o USB; 26 Watts w/ 6 high power USB devices attached
Dimensions	6.5 inches (h) x 1.5 inches (w) x 5 inches (d)
Environment	Stationary office installation, 0° to 35° C
Security	ICD1024 has the integrated PKI approved smart card reader Kensington® Security Slot for use with Kensington locks

CD 1024



Both CD1022 and 1024 are identical except the CD1024 has the integrated CAC reader.

Featuring:



Ordering Information

Use the following part numbers to order CD1022 and CD1024.

Model CD1022 and CD1024 Zero Client Ordering Information		
Zero Client	Part Number	Part Description
Zero Client CD1022	G0900359	Model CD1022 Zero Client, Dual Display Fiber, 6 USB,
Zero Client CD1024	G0900361	Model CD1024 Zero Client, Dual Display Fiber, 6 USB, CAC
Mounting Bracket	G0900305	Zero Client mounting bracket
DVD Player w/ Carriage	Call	DVD Player w/Carriage



CD1024w/ attached DVD player and mounting carriage